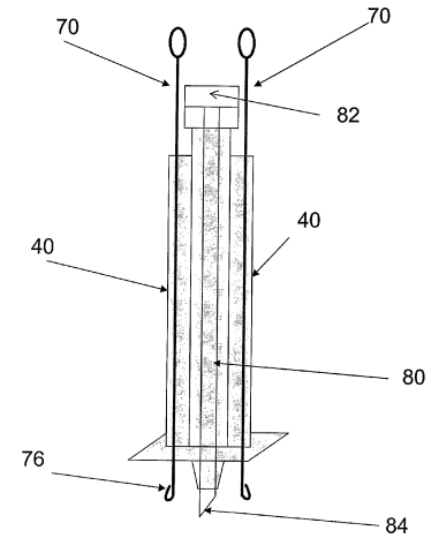


Simplified Antegrade Cardioplegia Catheter

From the lab of
Dr. Jakob Vinten-Johansen
Surgery

Presented by
Cale Lennon
Assistant Director

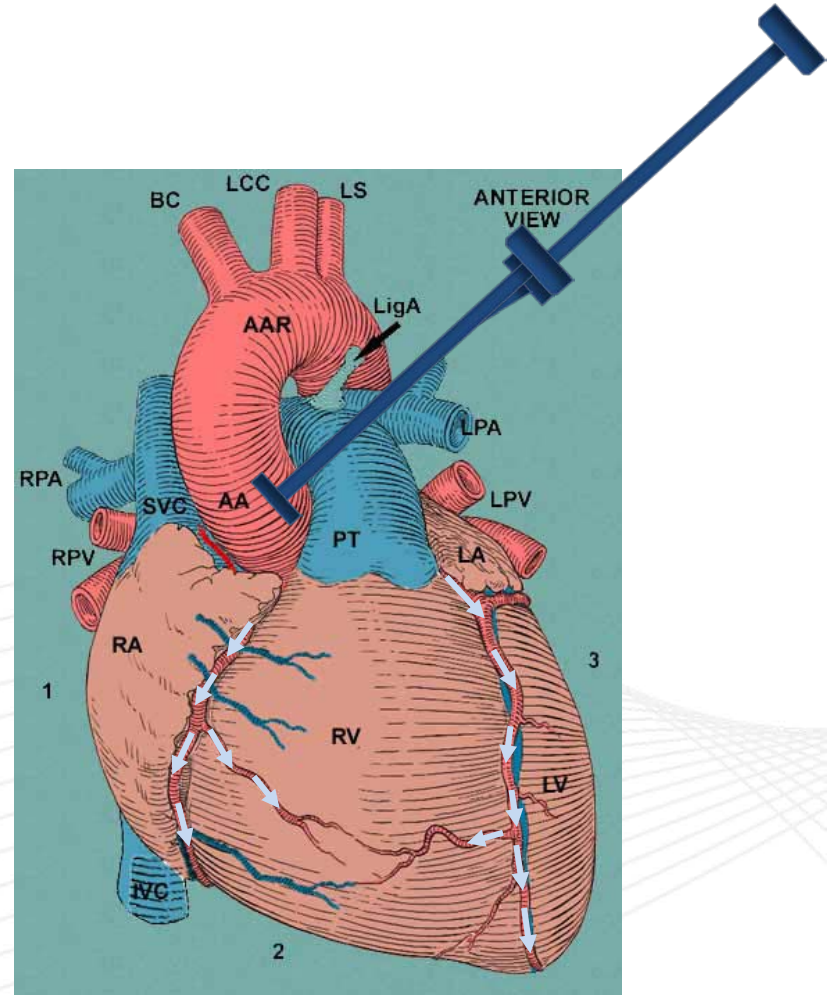
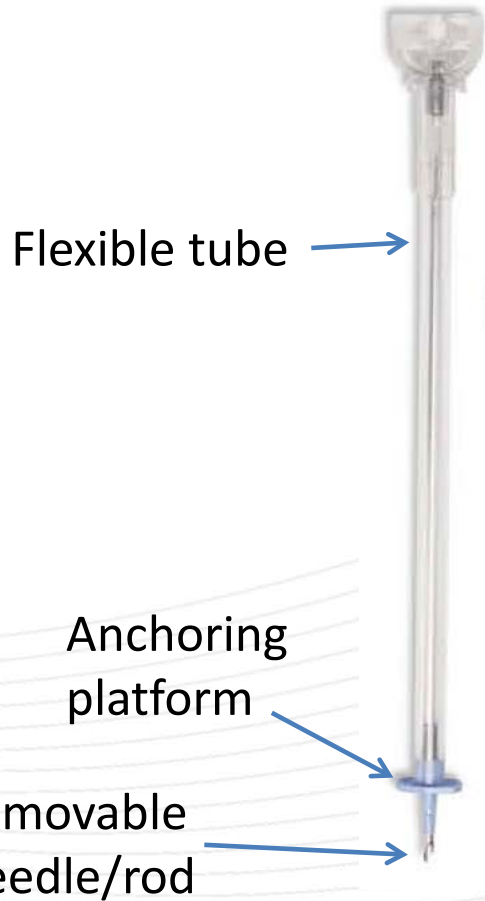
Emory OTT Breakfast Club
December 8, 2010



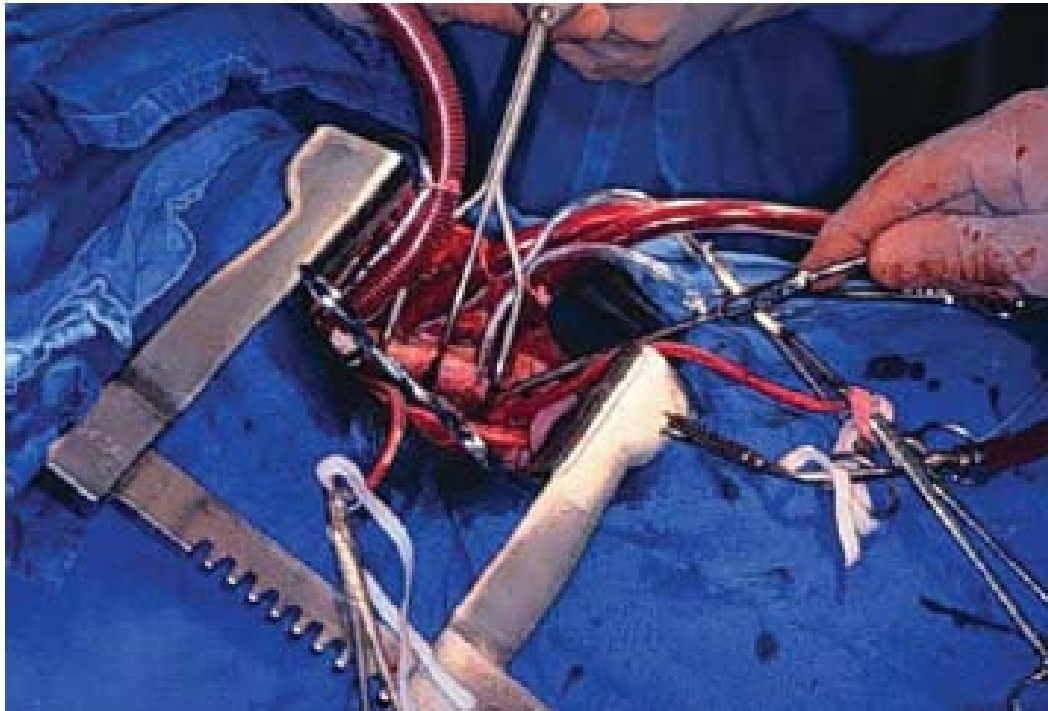
Antegrade Cardioplegia

Conventional Catheter

Medtronic, Edwards Lifesciences,
Quest Medical



Cluttered Cardiac Surgical Field



Video of Device Demo



Value Proposition

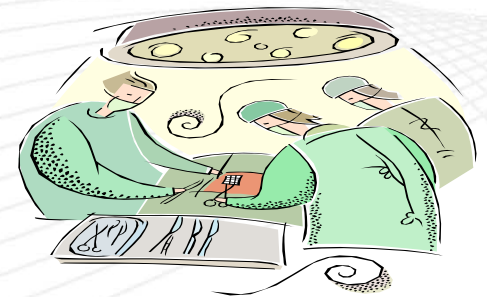
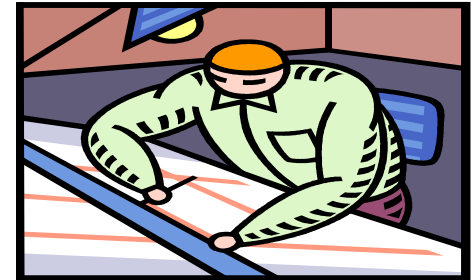
- Ease of use – reduced clutter in surgical field
- Applicable to newer minimally invasive surgical techniques
- Simplified “one piece” design
- Relatively low-cost development pathway
- 510(k) regulatory approval

IP/Patents

- US, Canada, EPO, nationalized applications pending (5/5/05 priority date)
- First office actions received for US and EPO cases
 - No prior art cited in EPO case
 - Reference in U.S. case appears not directly related

Future Plans

- Engineering/prototype development
- In vivo testing (pigs/dogs)-Emory Cardiothoracic Research Lab
- IP protection—Emory Patent Group
- License



Estimated Market

Heart Valve Replacements Worldwide/yr	300,000
CABG Surgeries Worldwide/yr	1,200,000
Total	1,500,000

Unit COGS	\$8
Unit sales price	\$30
Market penetration	25%

Estimated Gross Revenues/yr	\$11,250,000
Estimated Gross Margin/yr	\$8,250,000